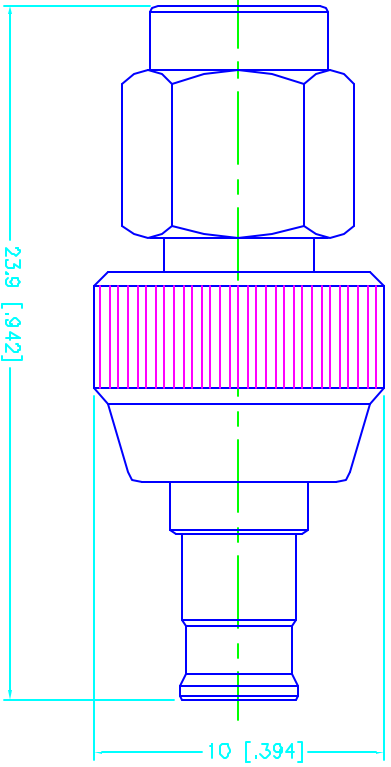


REV.	DATE	DESCRIPTION
NC	11/07/99	INITIAL RELEASE



NO.	DESCRIPTION	MATERIAL	FINISH	QTY	UNIT
8	GASKET	SILICONE	RED		
7	RETAINER RING	BERL COPPER	NATURAL		
6	BODY	BERL COPPER	GOLD		
5	INSULATOR	TEFLON	NATURAL		
4	CONTACT PIN	BRASS	GOLD		
3	HOUSING	BRASS	GOLD		
2	SHELL	BRASS	GOLD		
1	DESCRIPTION	MATERIAL	FINISH		

THESE DIMENSIONS SPECIFIED DIMENSIONS ARE IN MILLIMETERS DIMENSIONS IN [] ARE IN INCHES FOR CONVERSION REFERENCE ONLY		APPROVALS DRAWN G.R.S.	DATE 11/07/99
UNLESS OTHERWISE SPECIFIED DIMENSIONS FOR BALANCE ARE 0.5-9 = ± 0.2 10-29 = ± 0.4 30-120 = ± 0.8 125-180 = ± 1.0 185-250 = ± 1.5 255-320 = ± 2.0		CHECKED ISSUED	
TITLE SMA MALE TO MCX MALE ADAPTOR			
SIZE A	FROM NPL 99001	DWG. NO. 242128.DWG	REV. NC
SCALE NA	PART NO. 242128	SHEET 1 OF 1	

